

Pusztatemplom

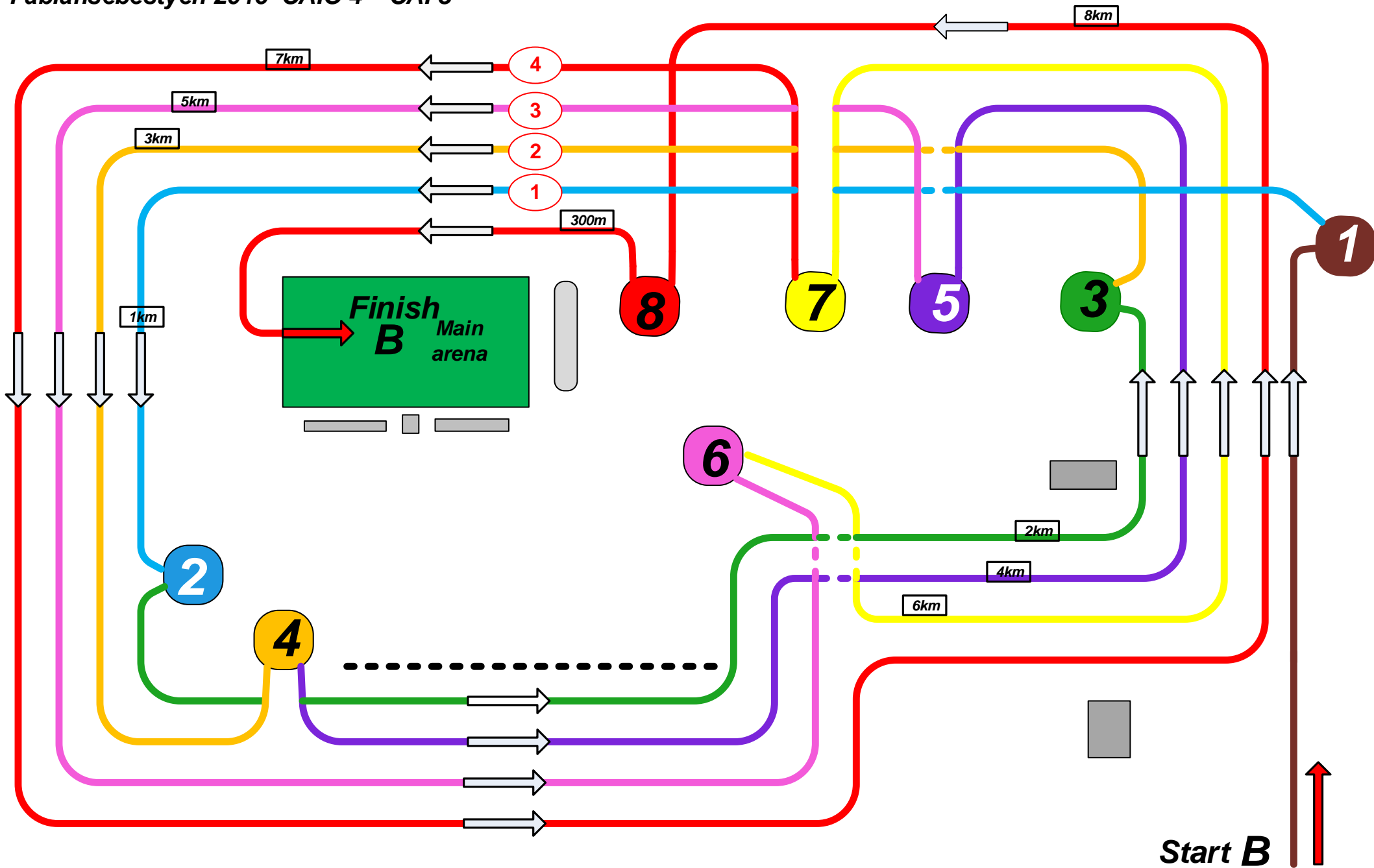
CAIO 4- CAI 3*-CAI 2* FÁBIÁNSEBESTYÉN 2016
Maraton competition Section A -Transfer

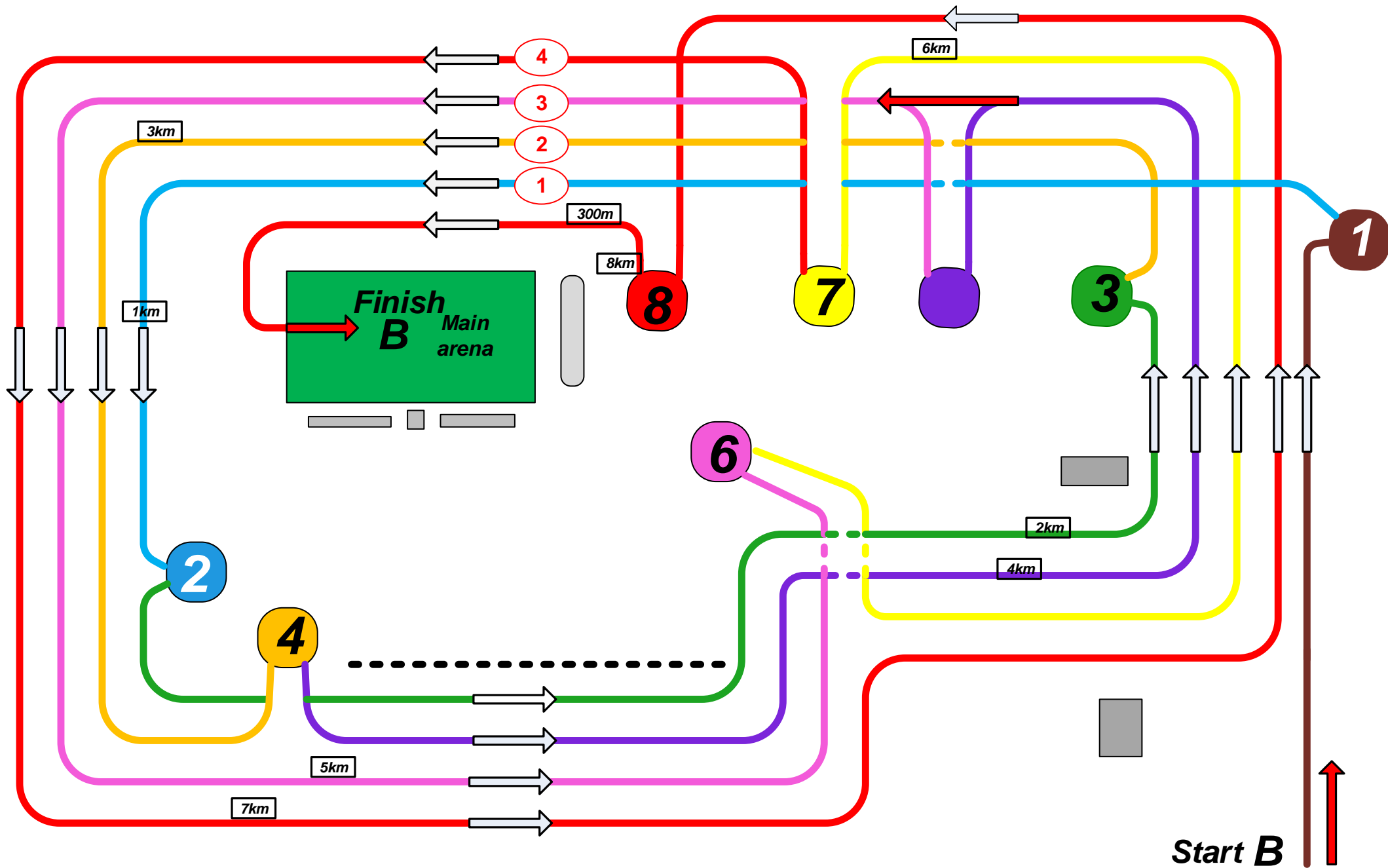
Fábiánsebestyén



Maraton Section B

Fábiánsebestyén 2016 CAIO 4 – CAI 3*





Fábiánsebestyén 2016 CAIO 4 – CAI 3*

START B

Obstacle 1

CTF 1

1 Km

Obstacle 2

2 Km

Obstacle 3

CTF 2

3 Km

Obstacle 4

4 Km

Obstacle 5

CTF 3

5 Km

Obstacle 6

6 Km

Obstacle 7

CTF 4

7 Km

8 Km

Obstacle 8

300 m

FINISH B

Fábiánsebestyén 2016 CAI 2* -Poni 1-2

START B

Obstacle 1

CTF 1

1 Km

Obstacle 2

2 Km

Obstacle 3

CTF 2

3 Km

Obstacle 4

4 Km

CTF 3

5 Km

Obstacle 6

6 Km

Obstacle 7

CTF 4

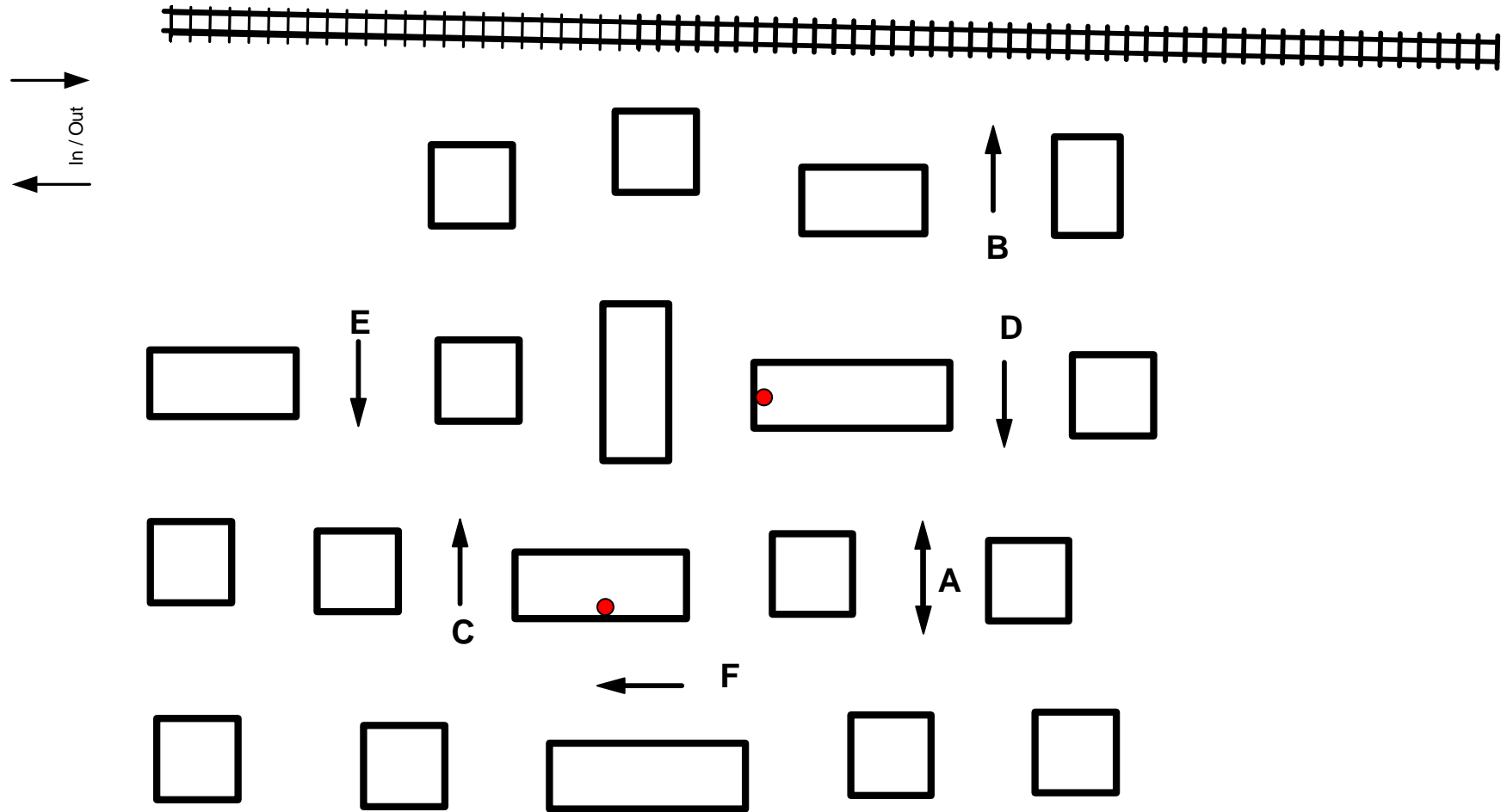
7 Km

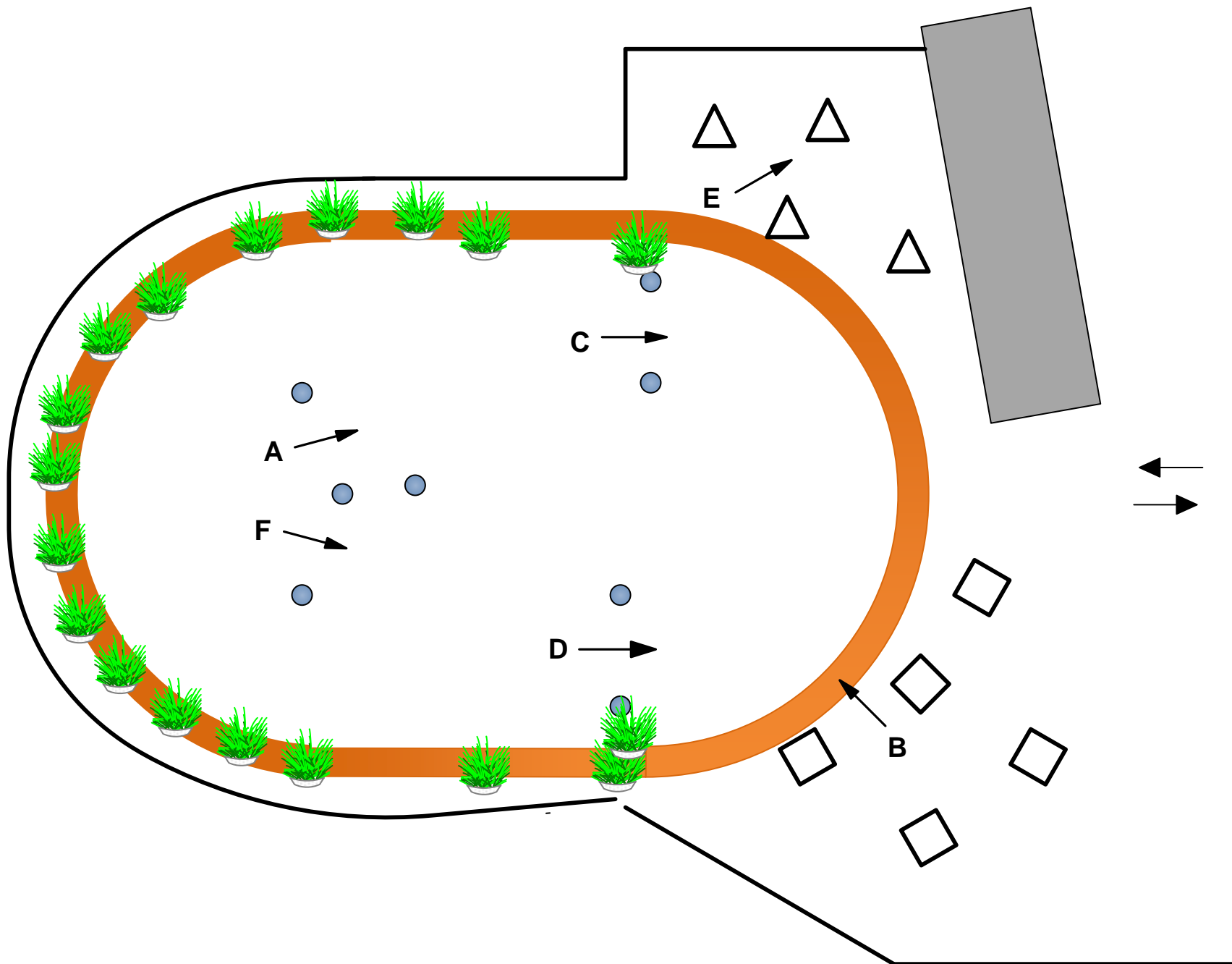
Obstacle 8

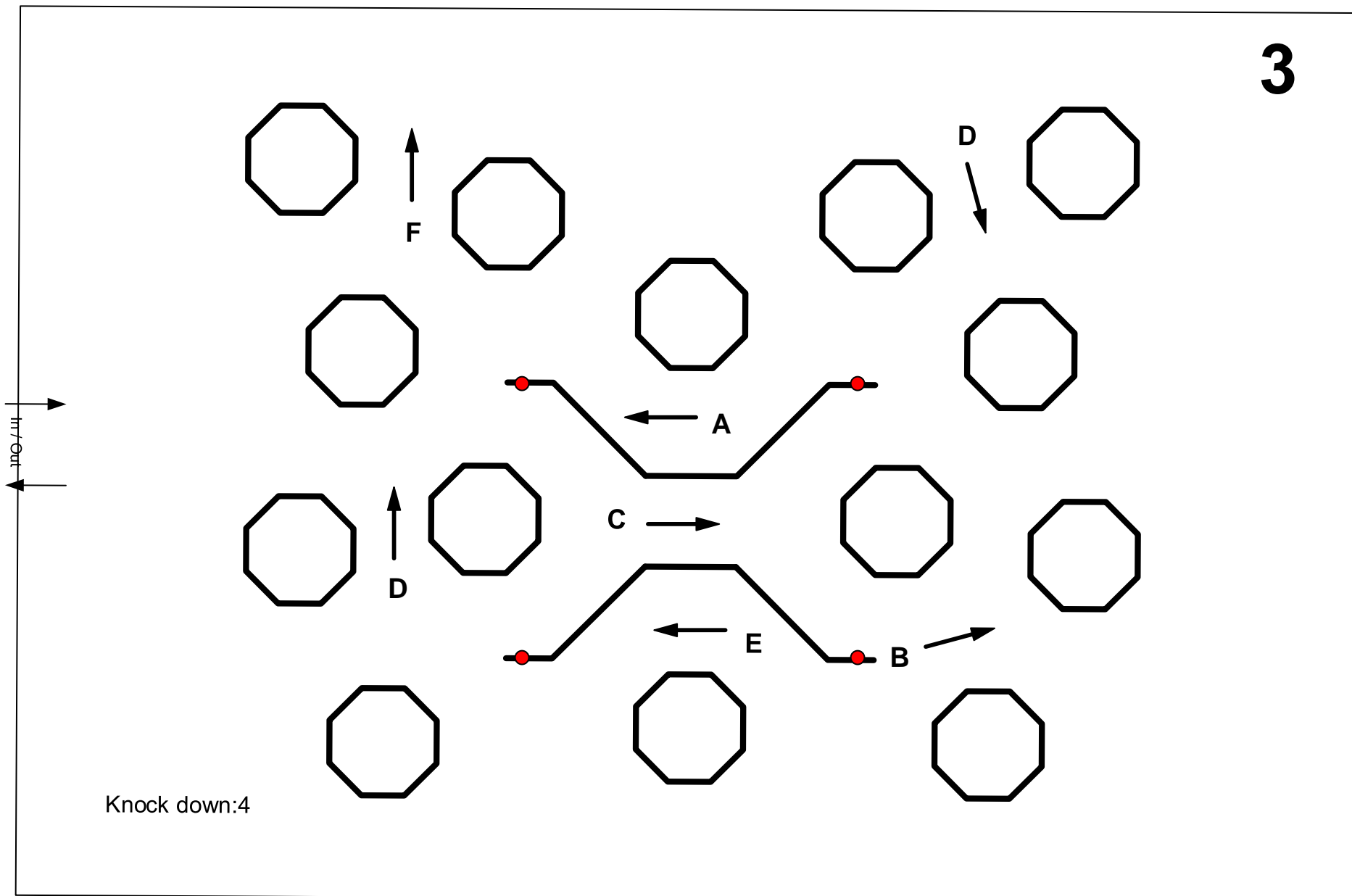
8 Km

300 m

FINISH B

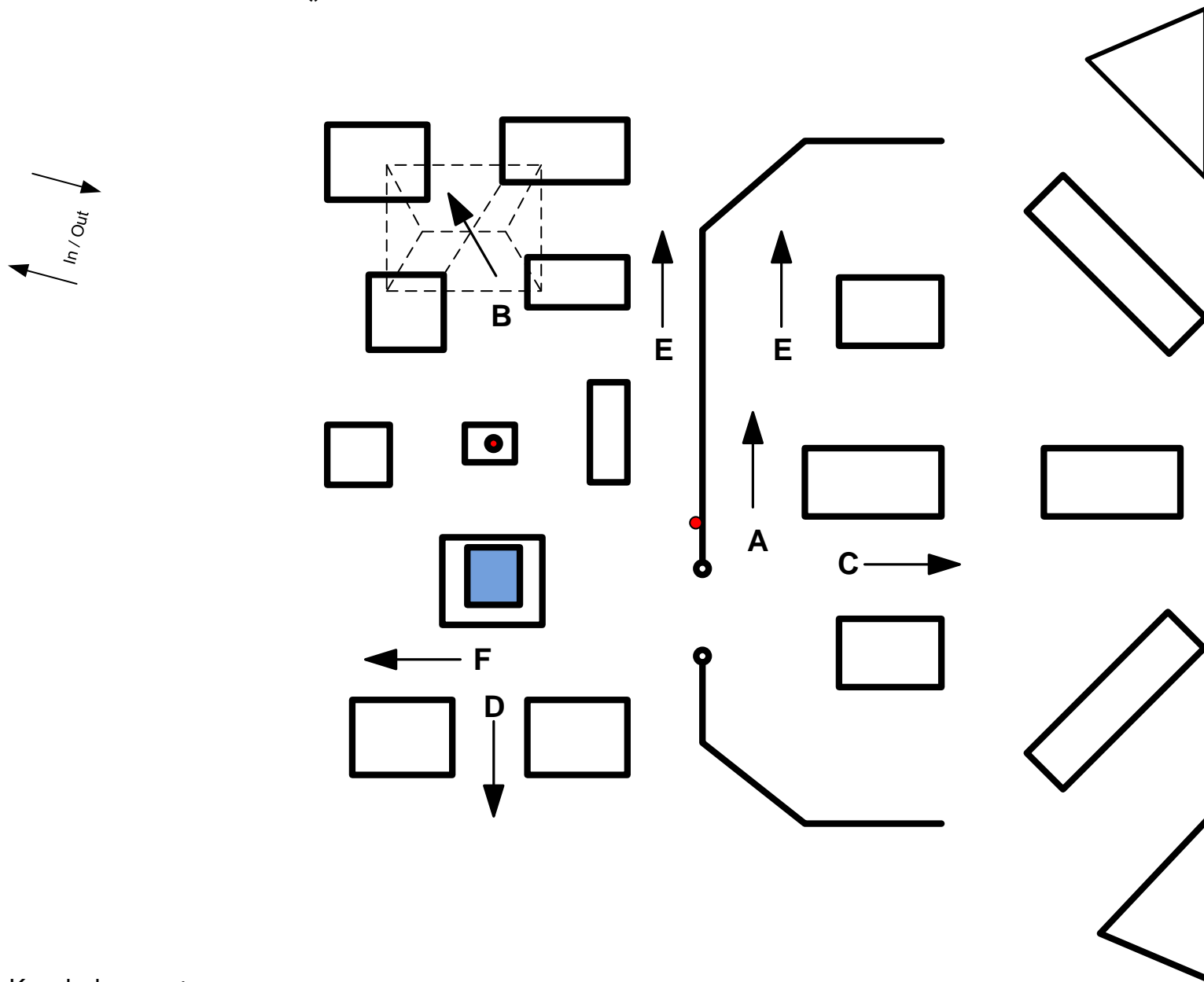


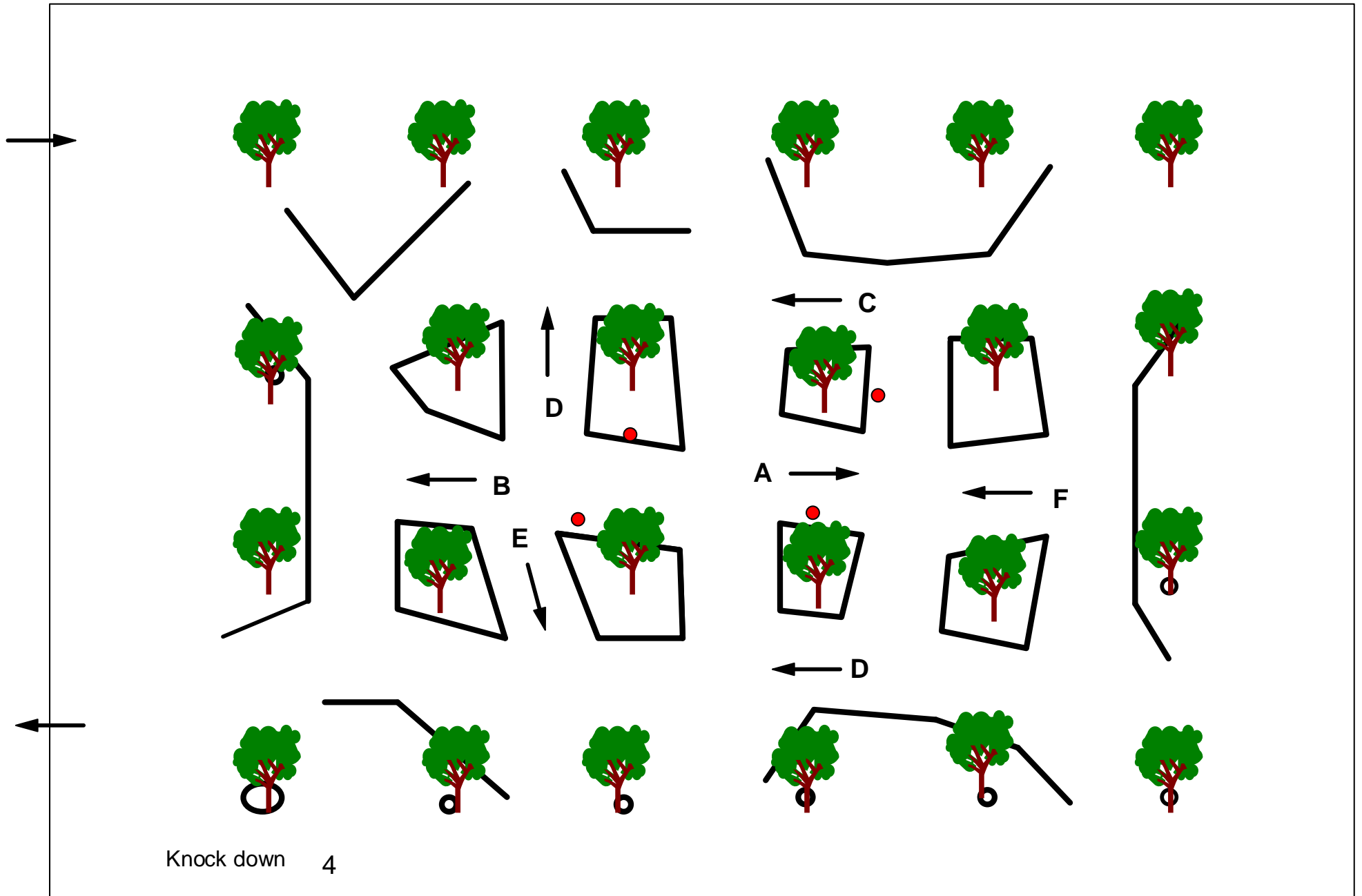


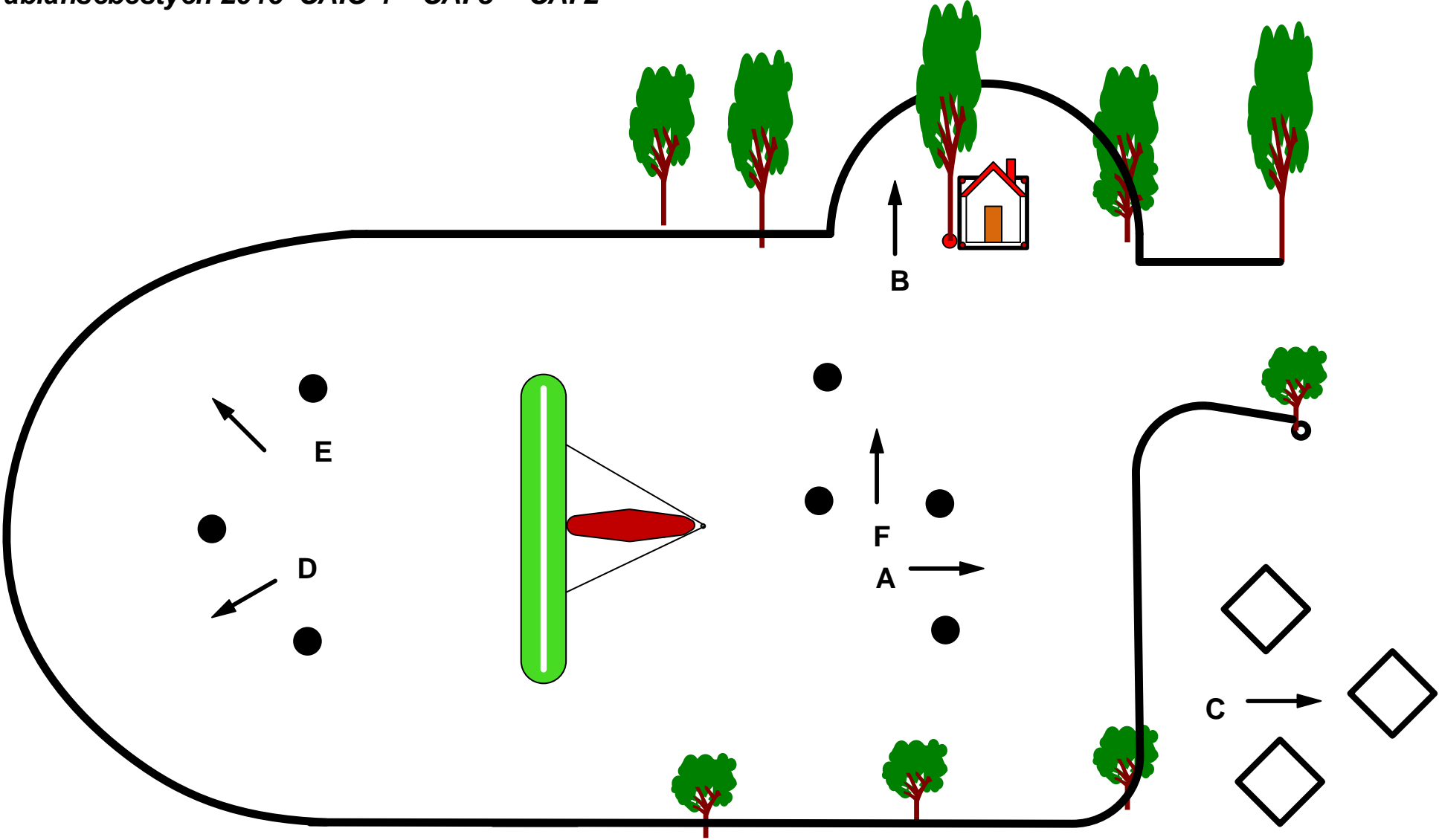


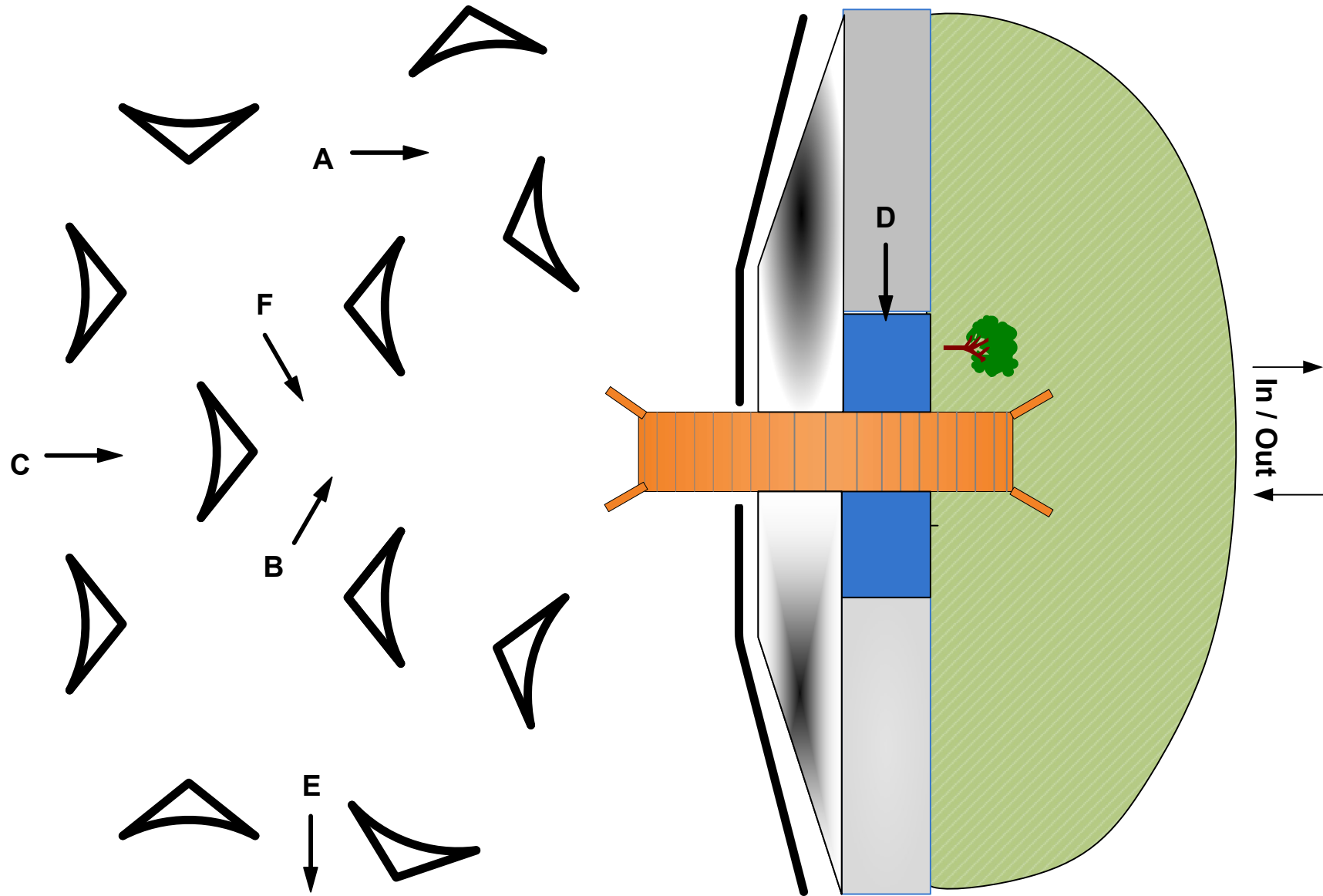
Knock down:4

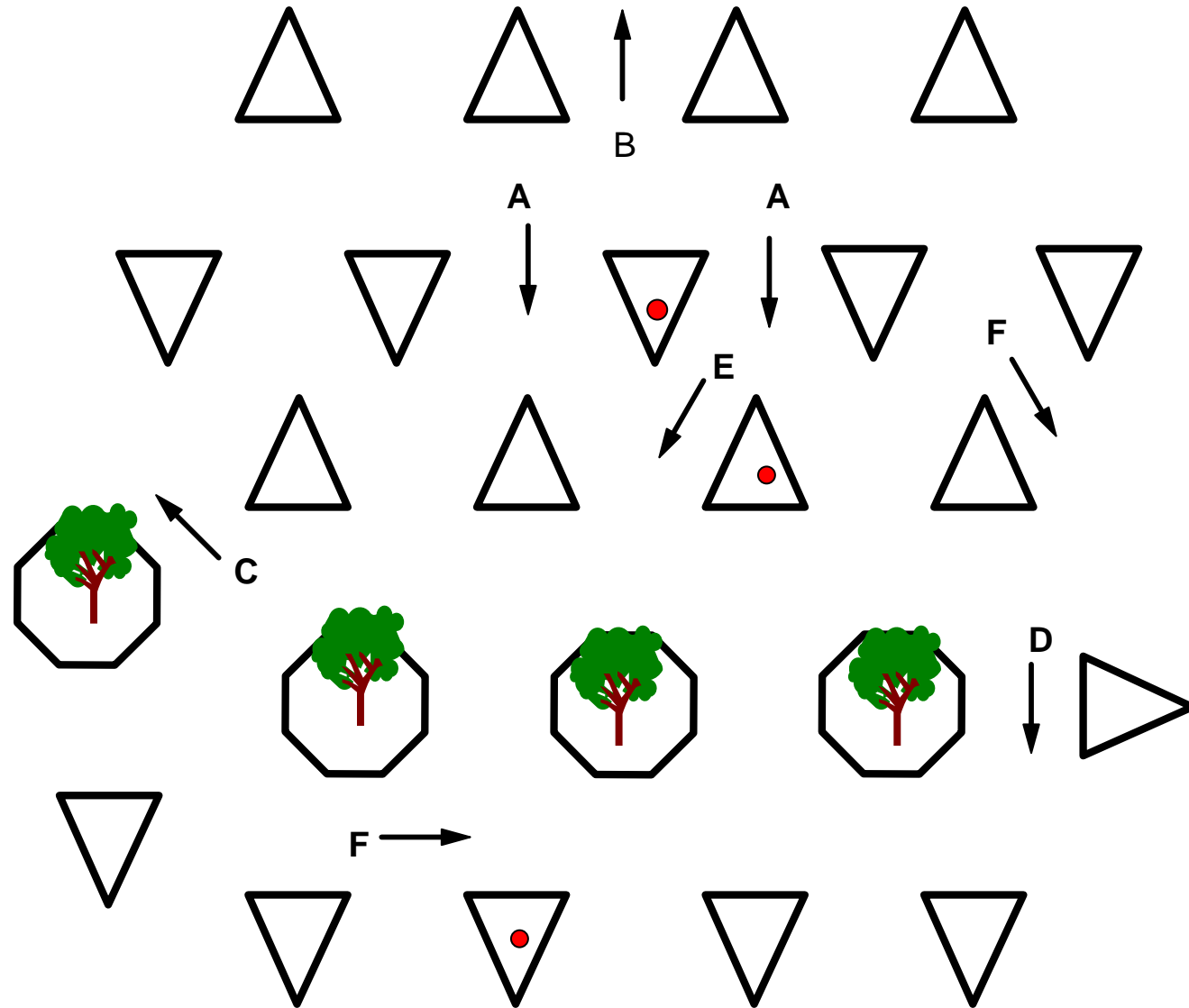
*











Knock down 3

